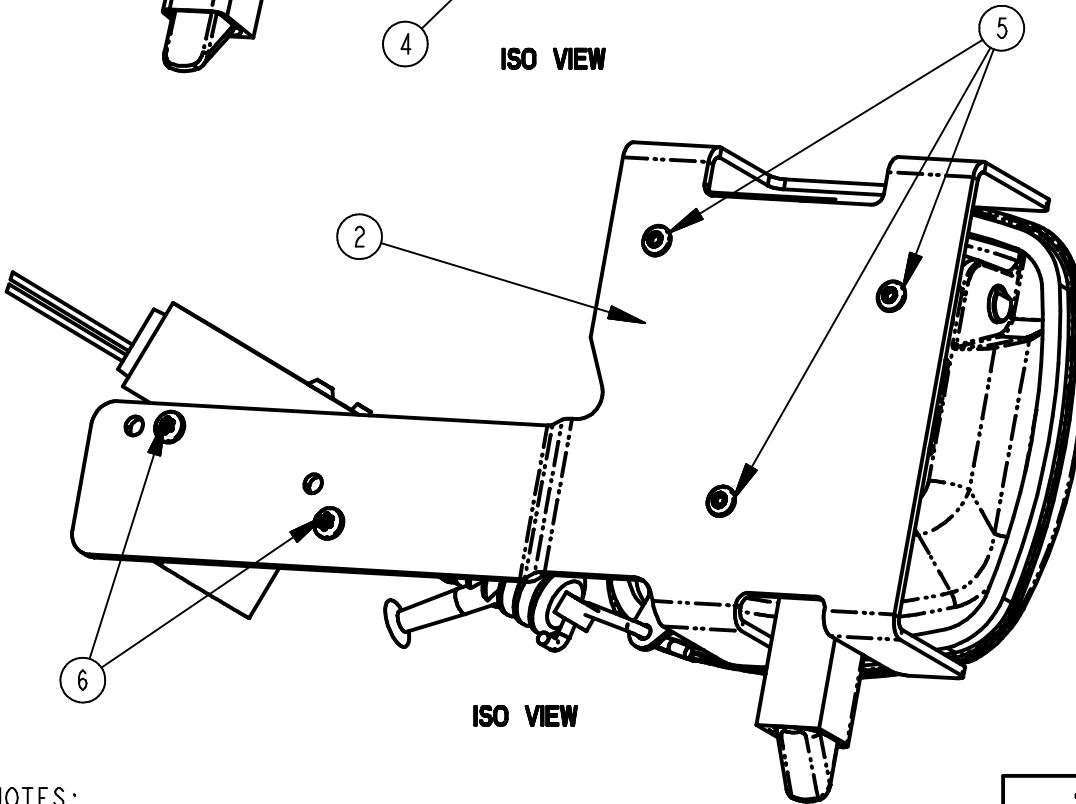
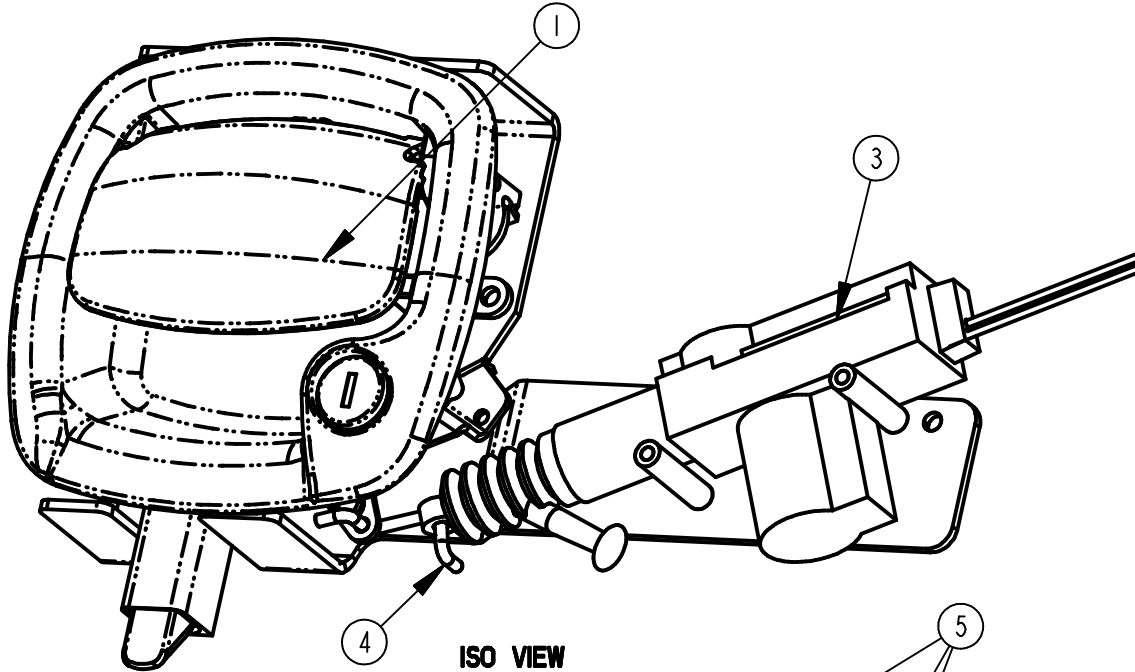


6	19935-02	POWER ACTUATOR MOUNT FASTENERS	2
5	15555-01	ASSEMBLY MOUNT FASTENER	3
4	20504-01	POWER LOCK ROD	1
3	19062-01	POWER ACTUATOR	1
2	20503-01	POWER MOUNTING BRACKET	1
1	19583-01, -02, -07, -08, -09	BAGGAGE ASSEMBLY WITH ZINC PLUNGER	1
RIGHT HAND 060-0475 ZINC TWO-PIECE PLUNGER WITH POWER LOCK			



SHEET 1 OF 7

DRAWN BY	BJP	6/26/14
CHKD BY		
RLSE DATE		

NOTES:

- REFER TO TRIMARKCORP.COM FOR DIFFERENCES IN DASH VERSIONS AND ALL OPTIONS OF EACH ITEM LISTED IN THE BILL OF MATERIAL.

TYPICAL APPLICATION

MODEL TY060-0475

SCALE	DESCRIPTION
0.500	060-0475, TYPICAL APPLICATIONS
SIZE	

A	REVISION	PART NUMBER
		TY060-0475A